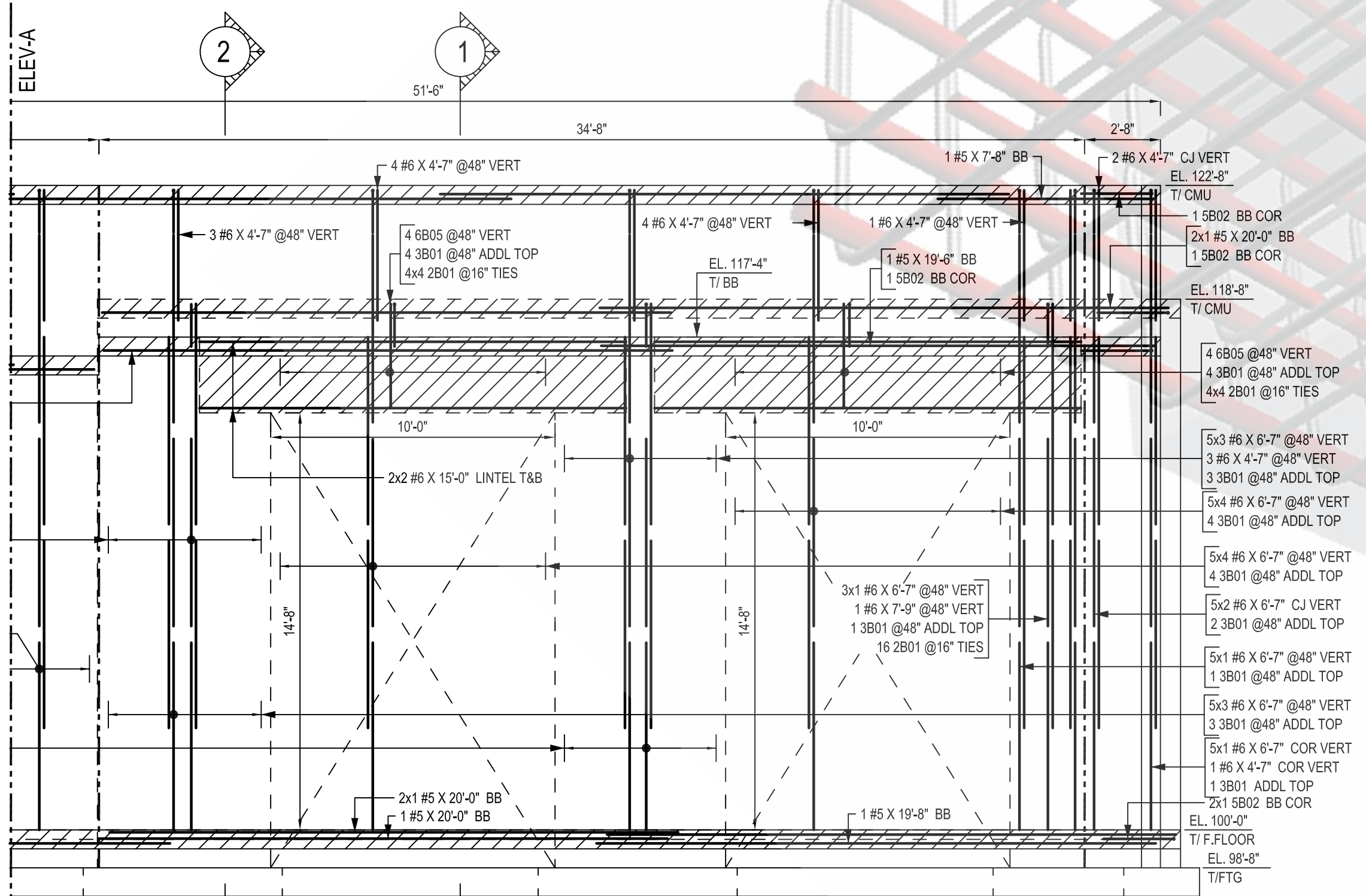
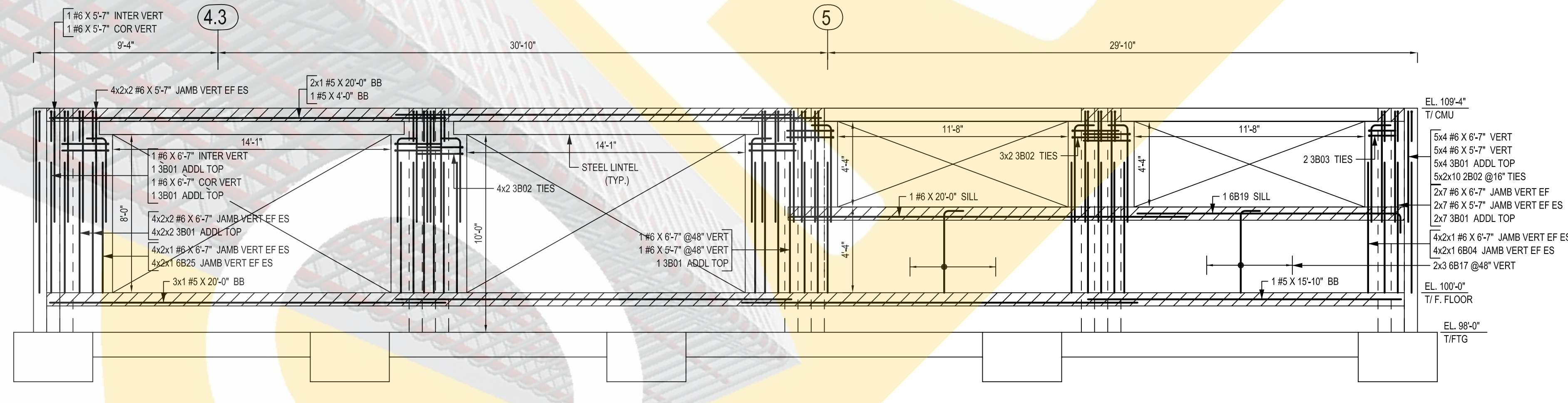


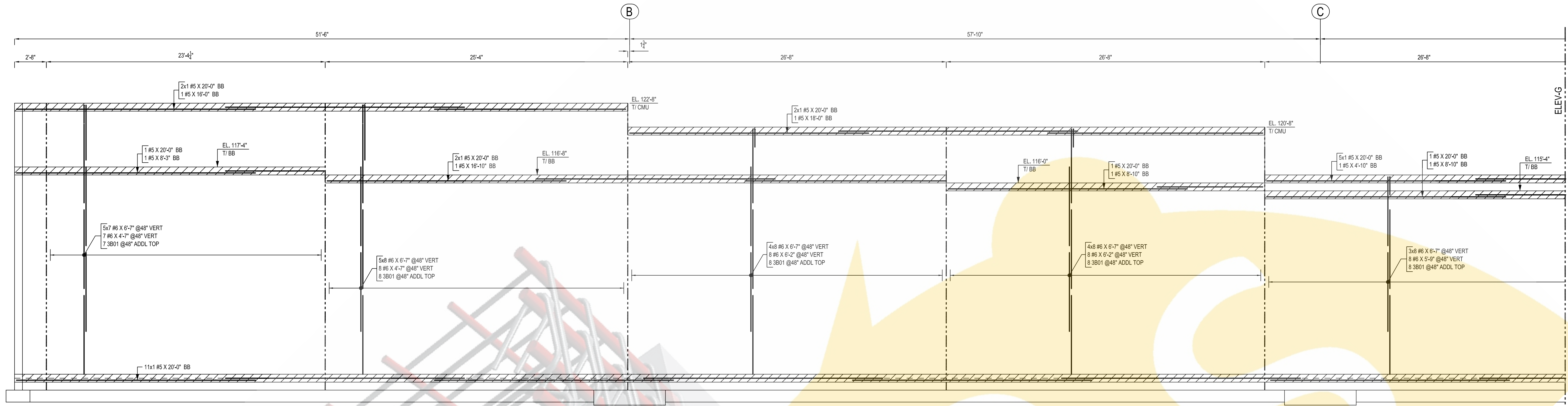
ELEVATION A
SCALE: 1/4"=1'-0"
SDR: 2/A2



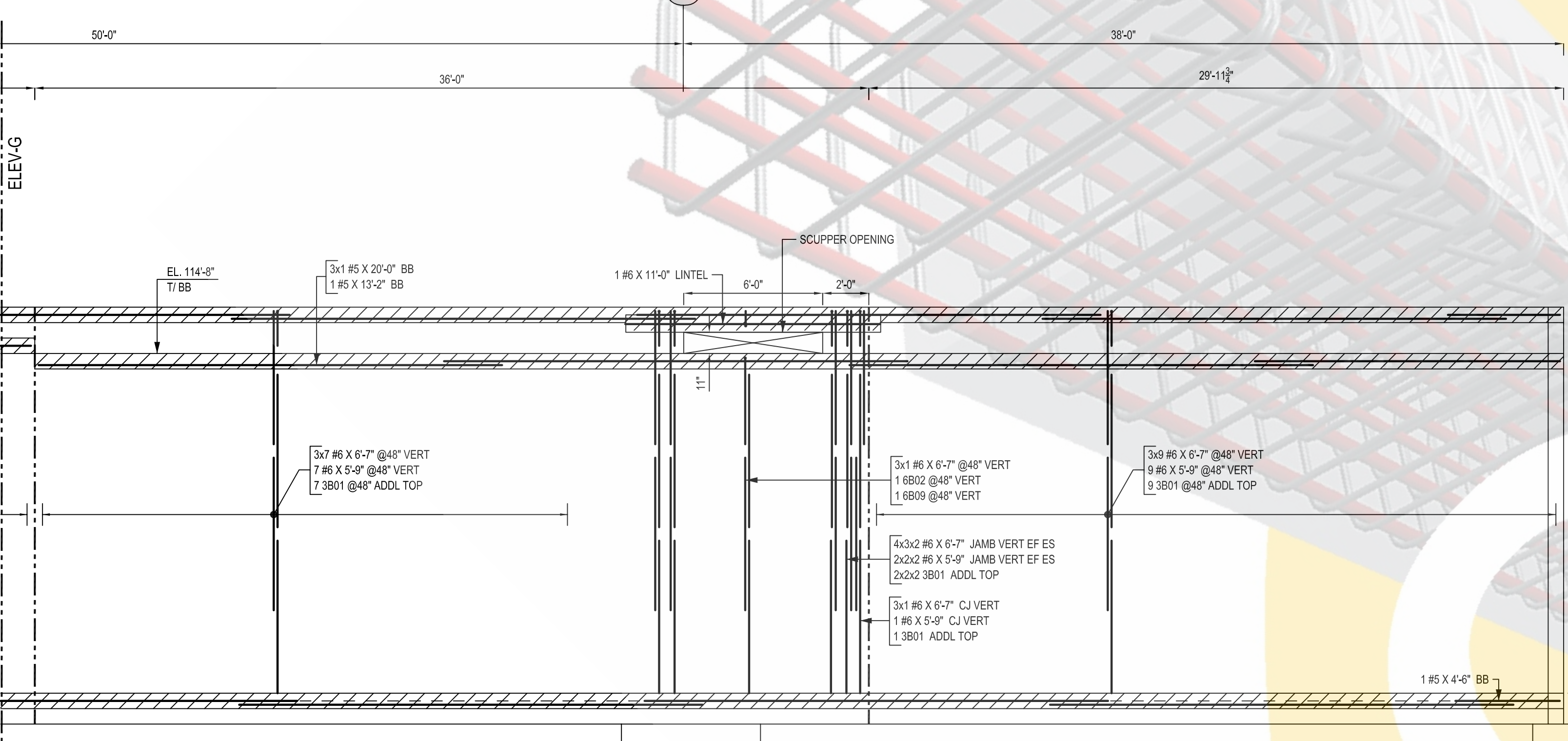
ELEVATION A
SCALE: 1/4"=1'-0"
SDR: 2/A2



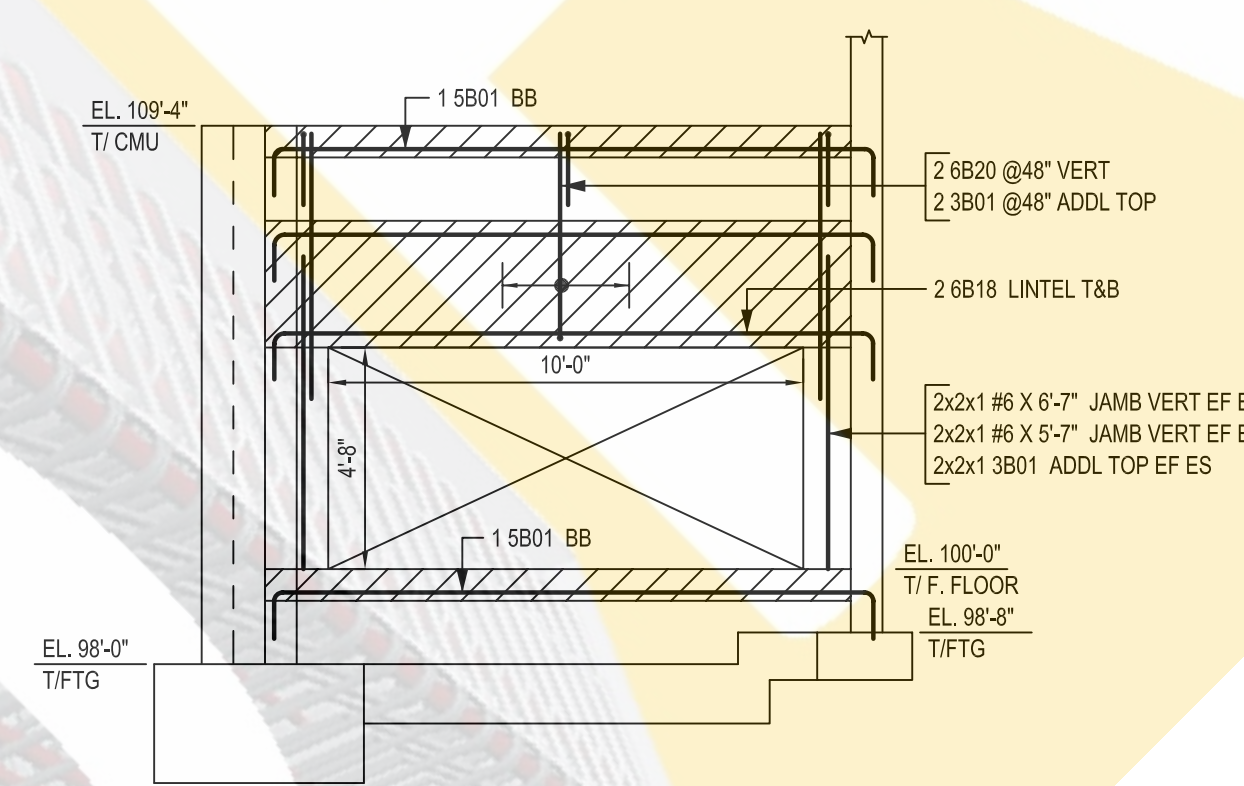
ELEVATION K
SCALE: 1/4"=1'-0"
SDR: 1/A2



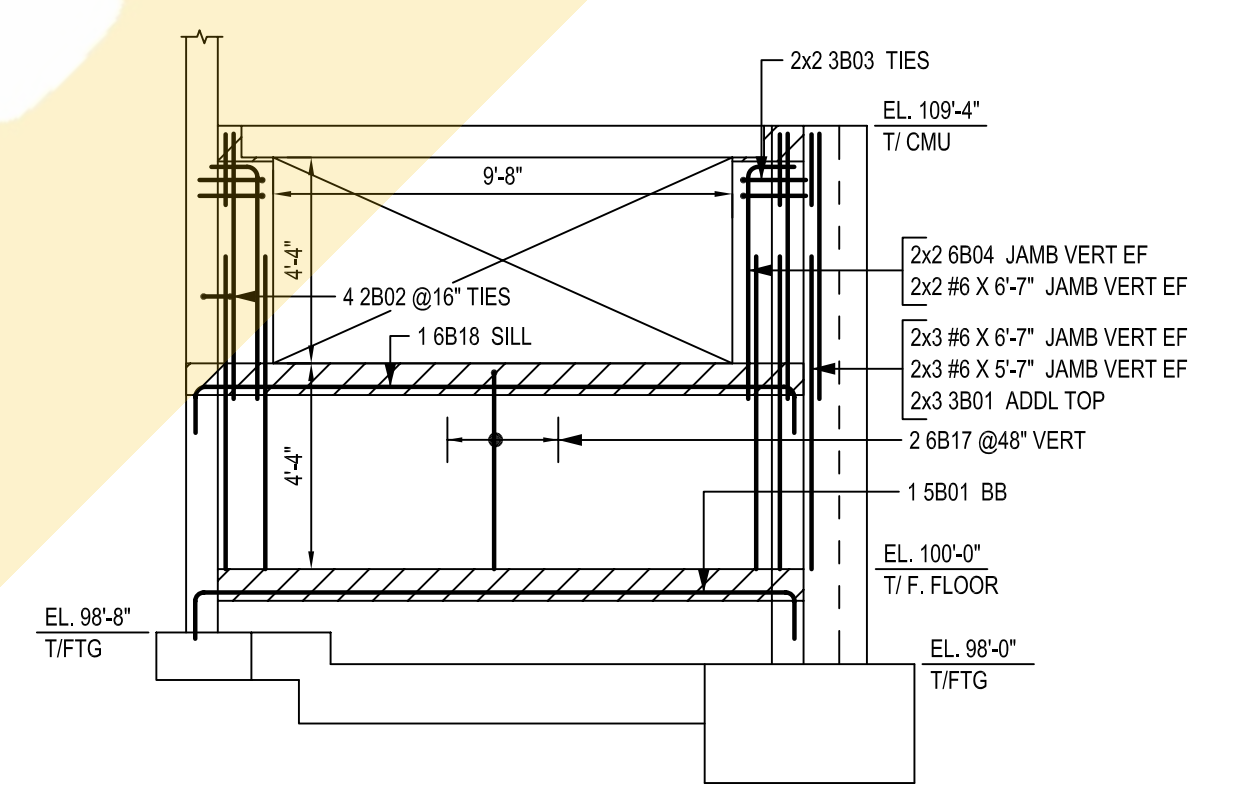
ELEVATION G
 SCALE: 1/4"=1'-0"
 SDR: 4/A2 & 2/S4



ELEVATION G
 SCALE: 1/4"=1'-0"
 SDR: 4/A2 & 2/S4

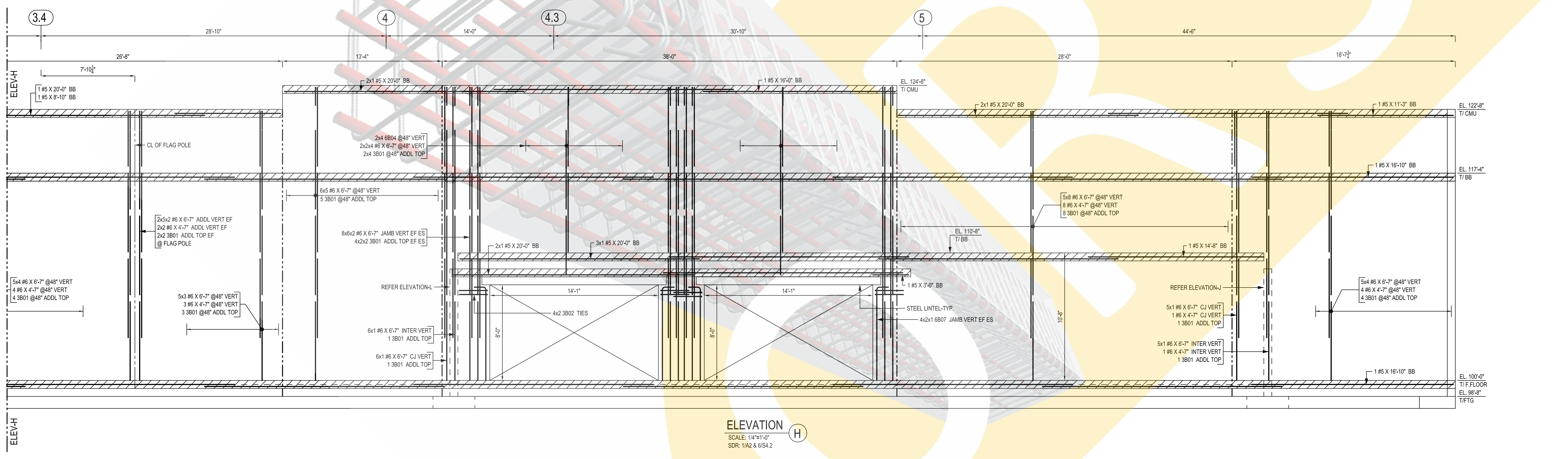
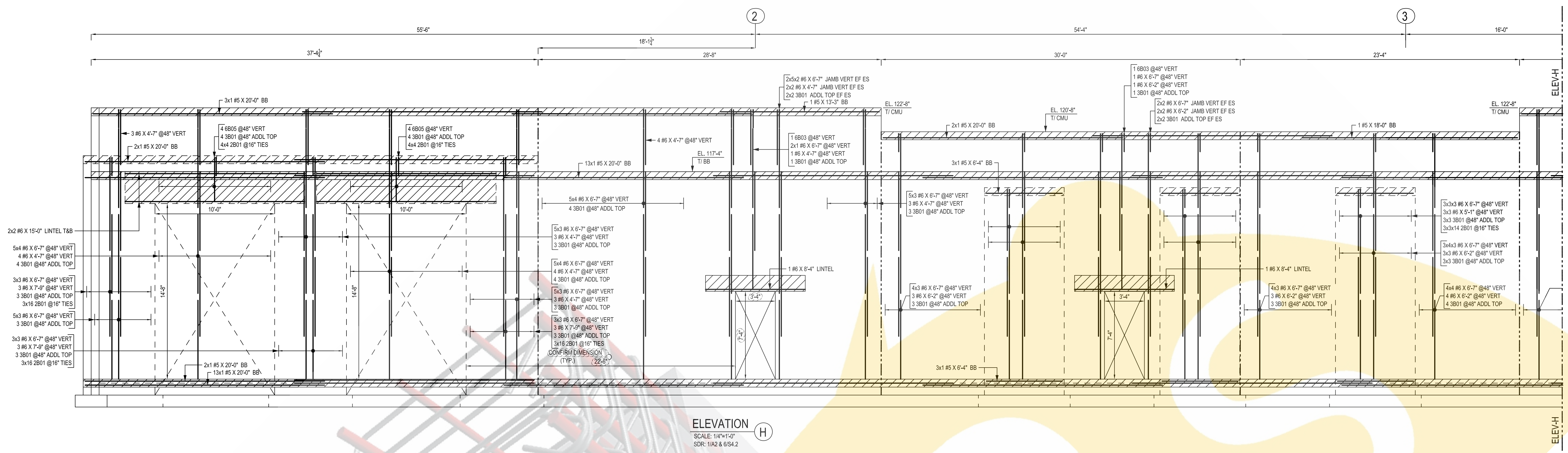


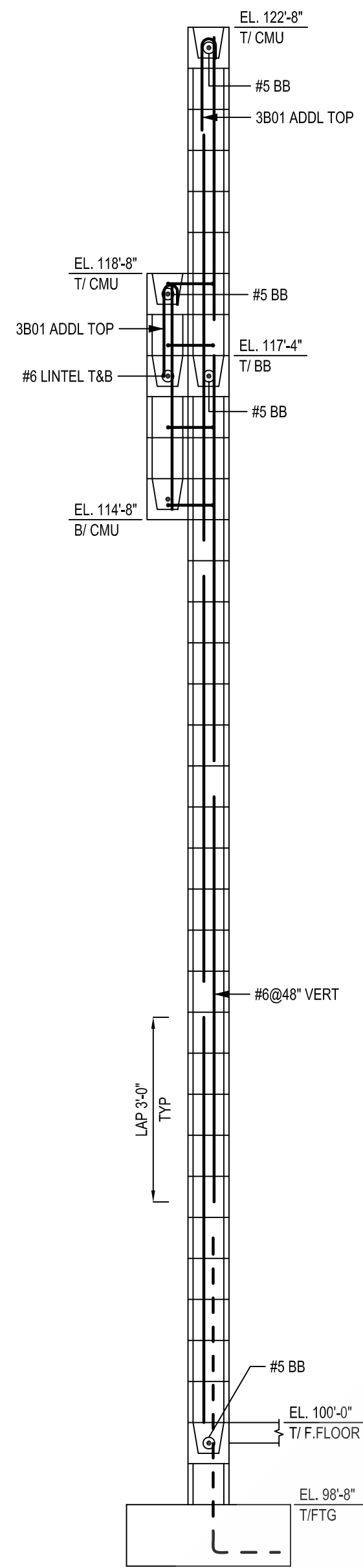
ELEVATION J
 SCALE: 1/4"=1'-0"
 SDR: 6/A2



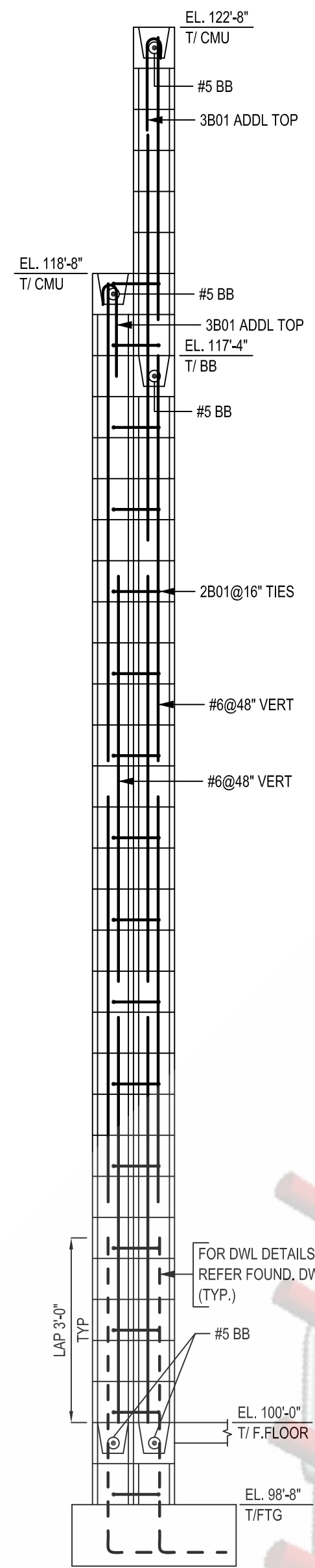
ELEVATION L
 SCALE: 1/4"=1'-0"
 SDR: 5/A2

ONCE REBAR SERVICES

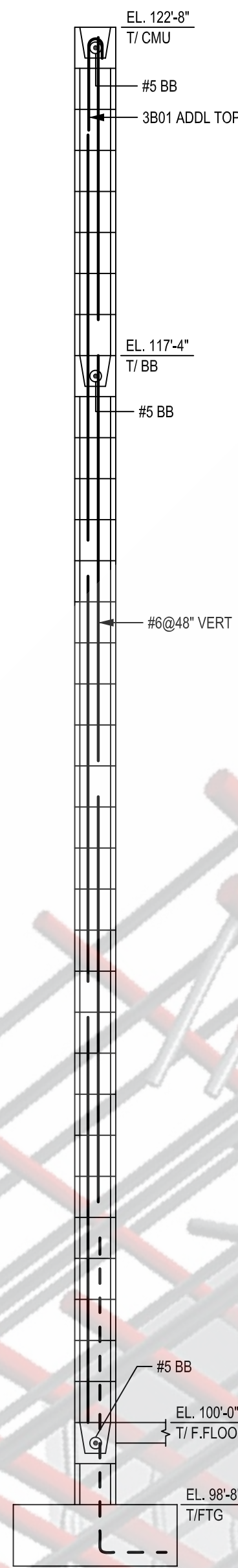




SECTION 1
SCALE: 1/2"=1'-0"
SDR: 2/S5 & 7/A3.3



SECTION 2
SCALE: 1/2"=1'-0"
SDR: 2/S5 & 7/A3.3

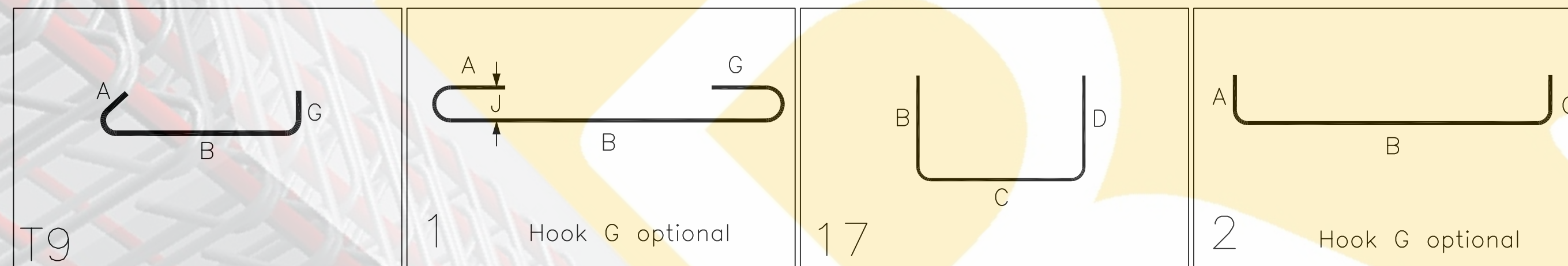


SECTION 3
SCALE: 1/2"=1'-0"
SDR: 1/A3

Release Number: R2.01-R2.05

BENDING LIST

Bar Mark	Qty	Size	Total Length	Type	'A'	'B'	'C'	'D'	'E'	'F'	'G'	'H'	'J'	'K'	'O'	'R'
2B01	572	#2	1'-5"	T9	0'-4"	0'-9"					0'-4"					
2B02	104	#2	1'-3"	T9	0'-4"	0'-7"					0'-4"					
3B01	498	#3	1'-11"	1	0'-5"	1'-6"							0'-3"			
3B02	22	#3	5'-0"	17		2'-4"	0'-4"	2'-4"								
3B03	6	#3	3'-0"	17		1'-4"	0'-4"	1'-4"								
5B01	3	#5	14'-8"	2	1'-0"	12'-8"					1'-0"					
5B02	8	#5	5'-0"	17		2'-6"	2'-6"									
6B01	1	#6	3'-8"	2	1'-0"	2'-8"										
6B02	2	#6	4'-9"	2	1'-0"	3'-9"										
6B03	4	#6	7'-3"	2	1'-0"	6'-3"										
6B04	21	#6	5'-11"	2	1'-0"	4'-11"										
6B05	16	#6	4'-8"	2	1'-0"	3'-8"										
6B06	2	#6	6'-4"	2	1'-0"	4'-4"					1'-0"					
6B07	8	#6	8'-10"	2	1'-0"	7'-10"										
6B09	1	#6	1'-8"	2	1'-0"	0'-8"										
6B10	1	#6	8'-0"	2	1'-0"	7'-0"										
6B11	3	#6	4'-4"	2	1'-0"	3'-4"										
6B12	1	#6	7'-4"	2	1'-0"	6'-4"										
6B13	1	#6	6'-0"	2	1'-0"	5'-0"										
6B14	2	#6	8'-8"	2	1'-0"	7'-8"										
6B17	8	#6	5'-2"	2	1'-0"	4'-2"					1'-0"					
6B18	3	#6	14'-8"	2	1'-0"	12'-8"										
6B19	1	#6	14'-4"	2	1'-0"	13'-4"										
6B20	2	#6	5'-4"	2	1'-0"	4'-4"										
6B25	8	#6	5'-3"	2	1'-0"	4'-3"										



LAP SCHEDULE

BAR DIA	LAP SPLICE
#3	1'-6"
#4	2'-0"
#5	2'-6"
#6	3'-0"
#7	3'-6"
#8	4'-0"

ONCE REBAR SERVICES